

Form 2776w
(641)

Printed in U. S. A.

HISTORICAL COPY
DO NOT REMOVE

SINGER

400w102

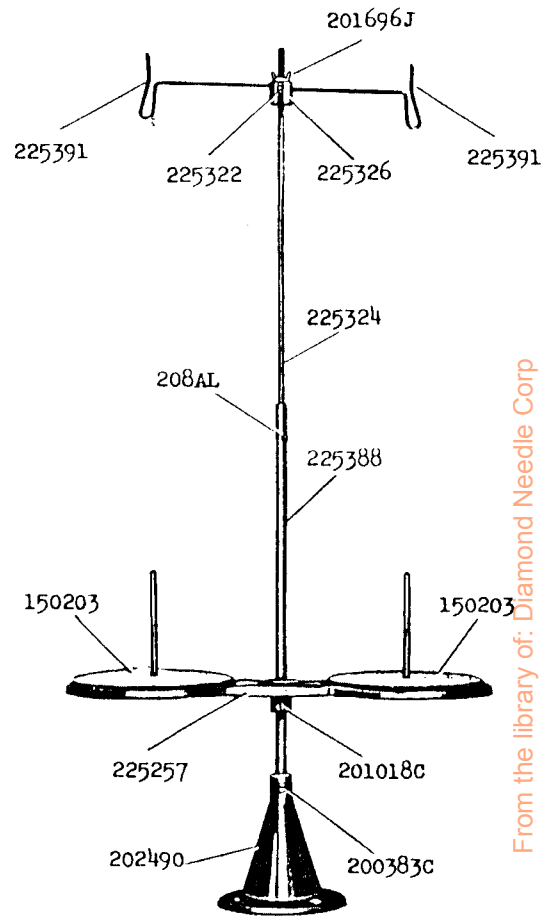


From the library of: Diamond Needle Corp

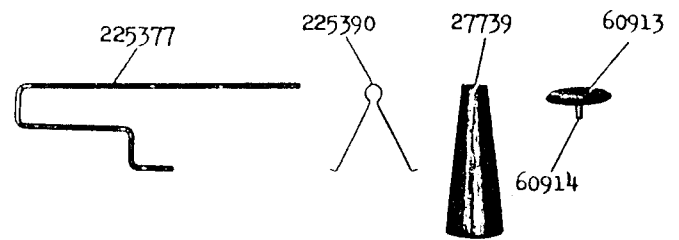
THE SINGER MANUFACTURING COMPANY

17900 - 1/6

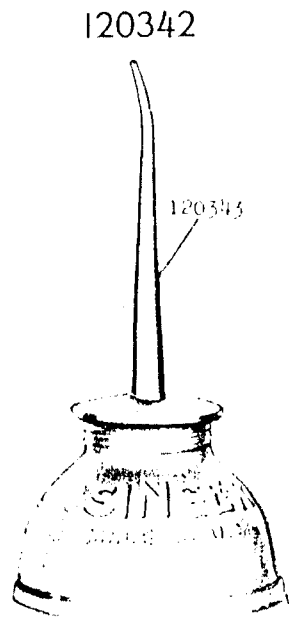
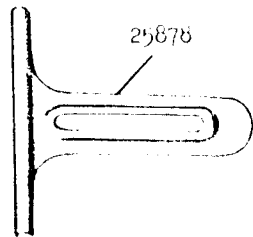
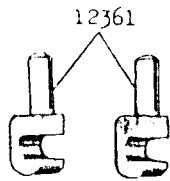
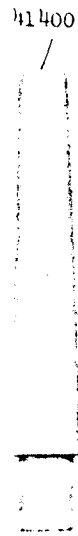
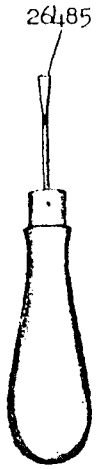
225258



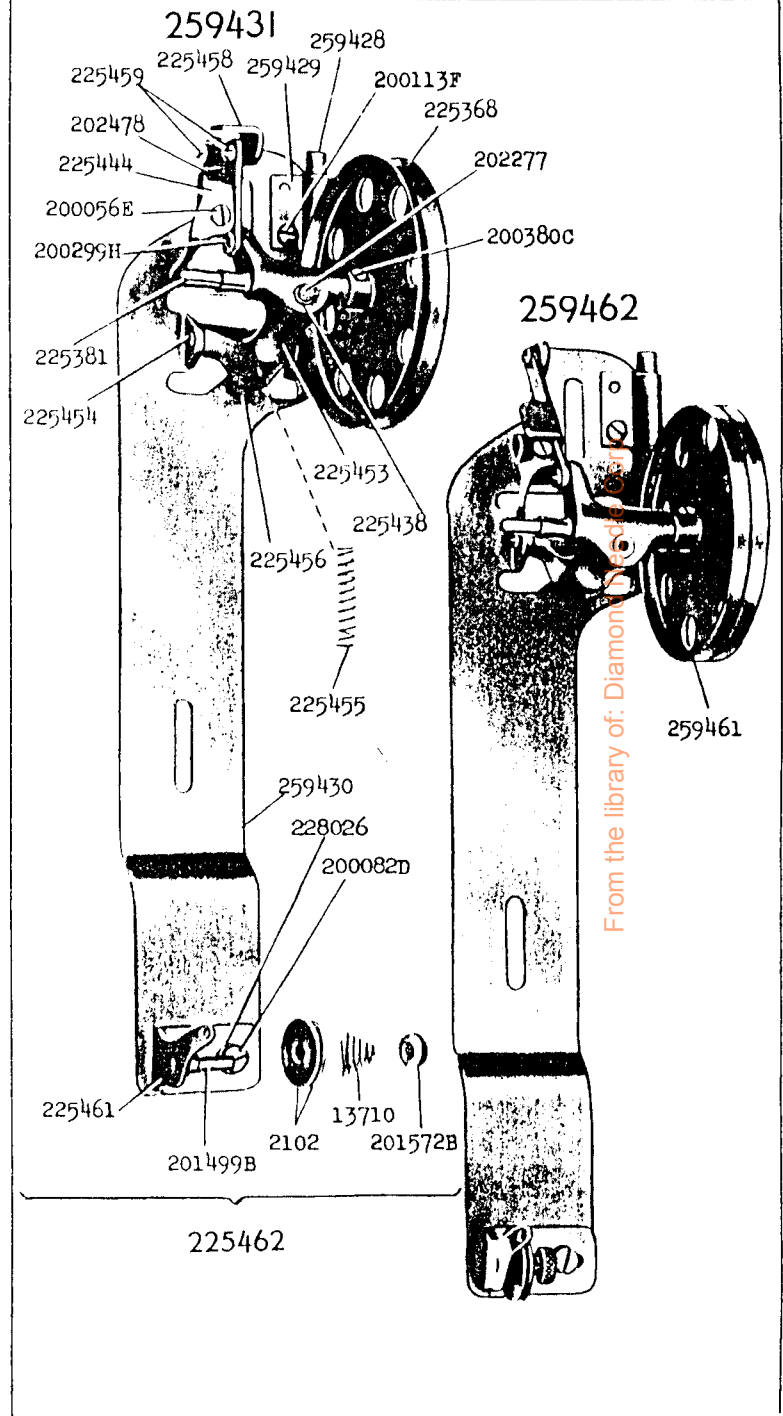
From the library of: Diamond Needle Corp



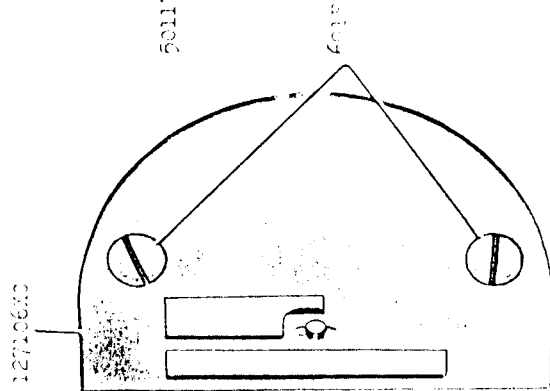
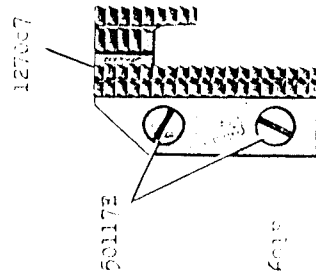
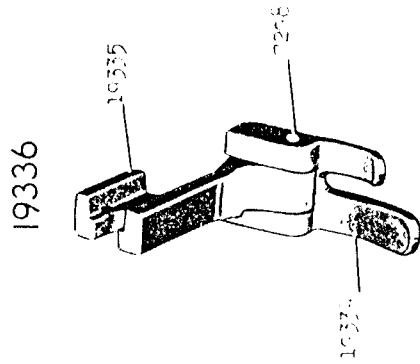
18310 - 1/2



18312 - 3/8

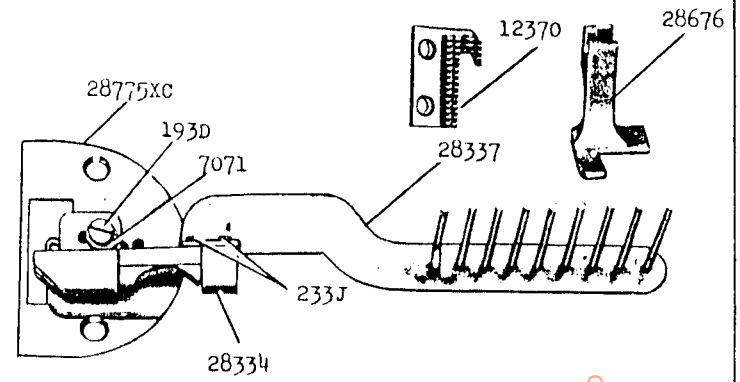


18319

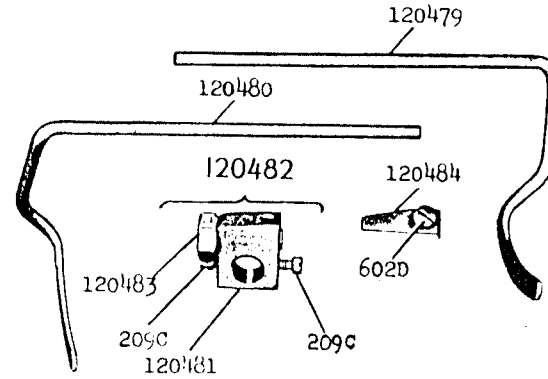


18320 - 1/2

28776



120485



270093

From the library of: Diamond Needle Corp

259502

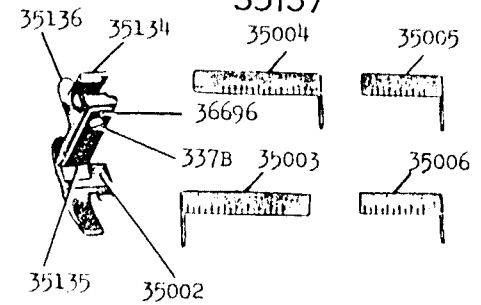


259084

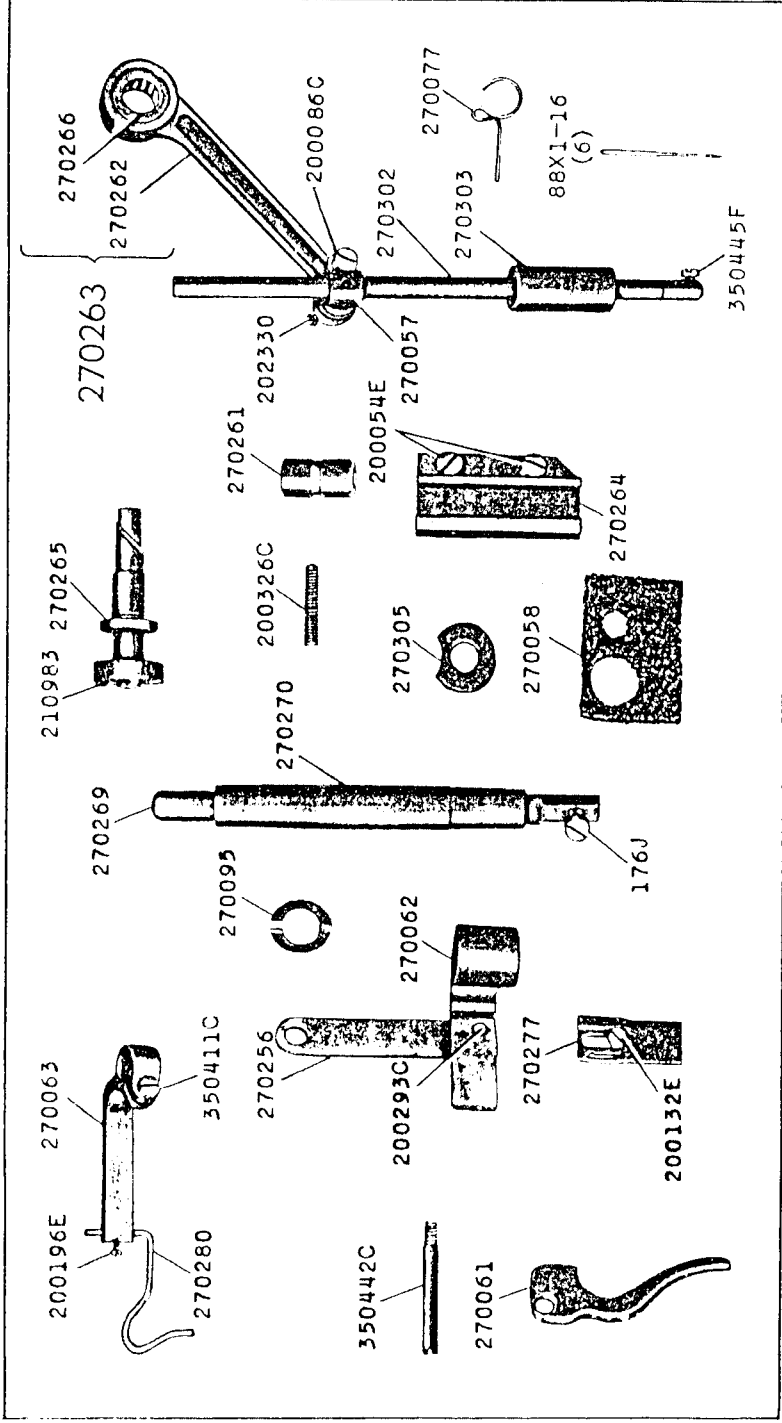


259082

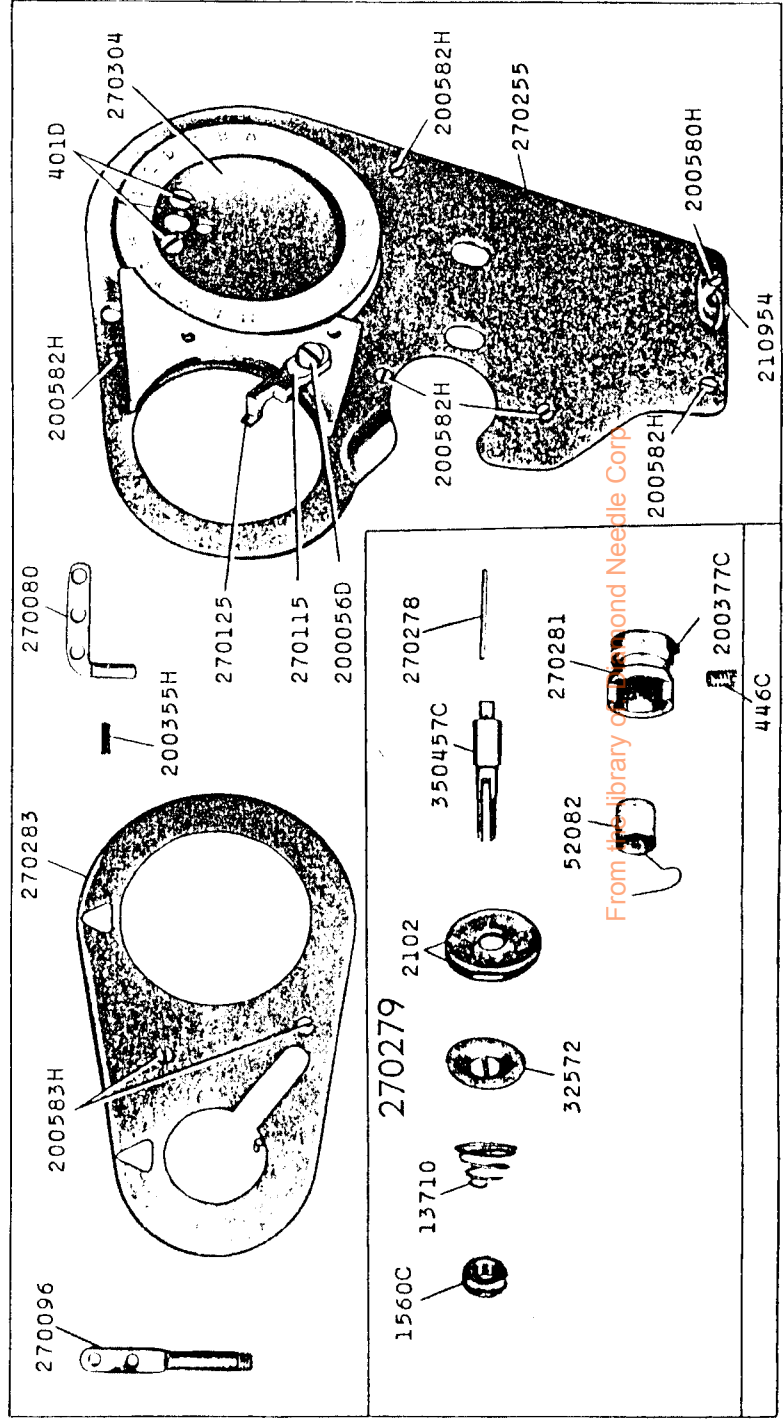
35137



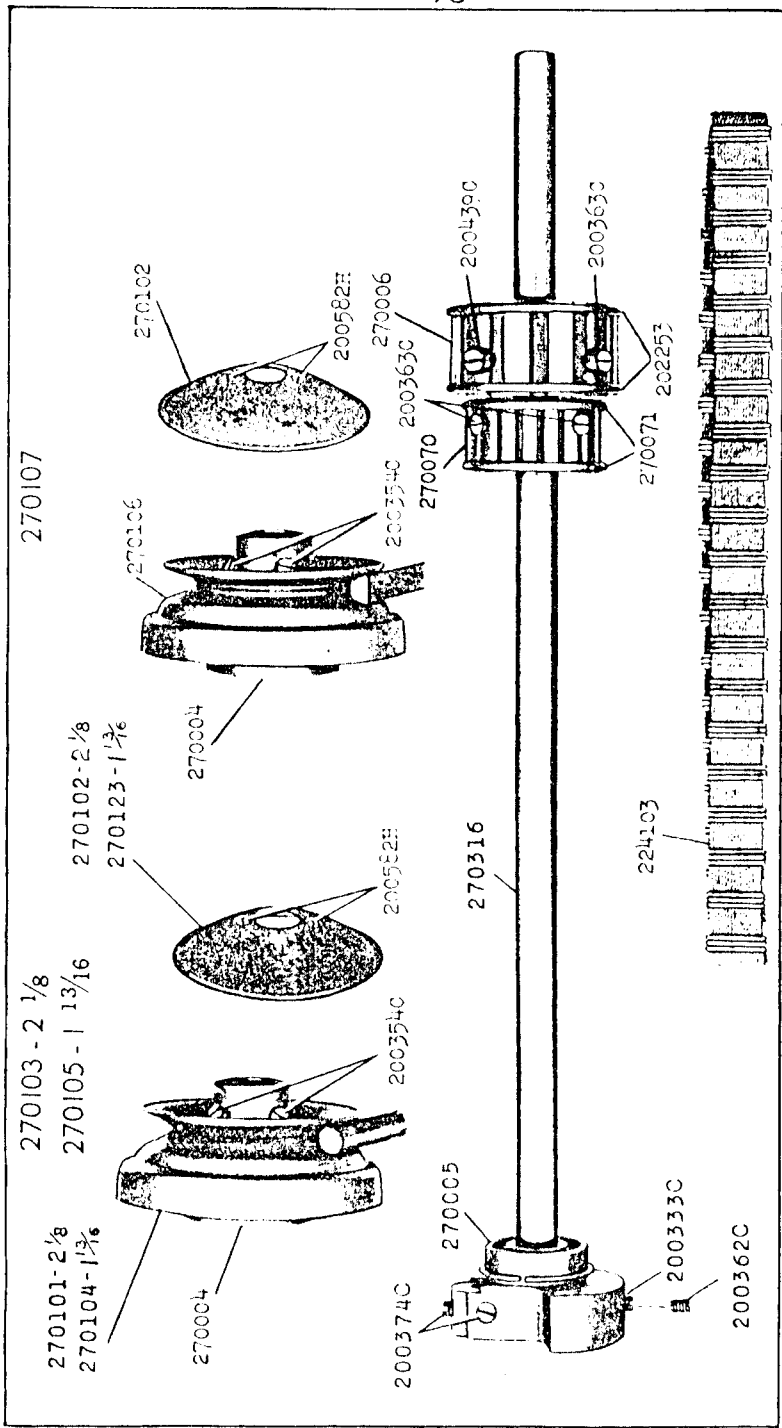
18330 - 1/2



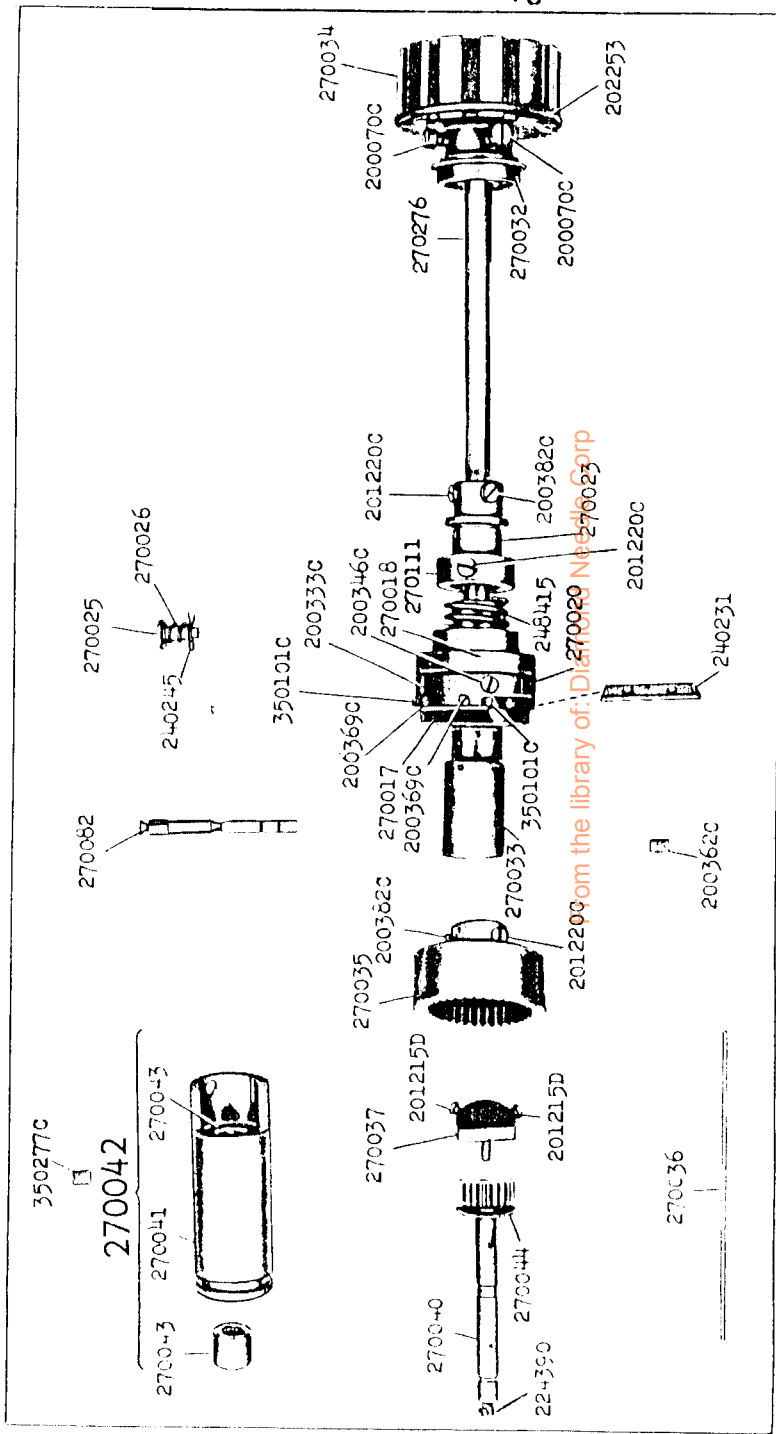
18331 - 1/2

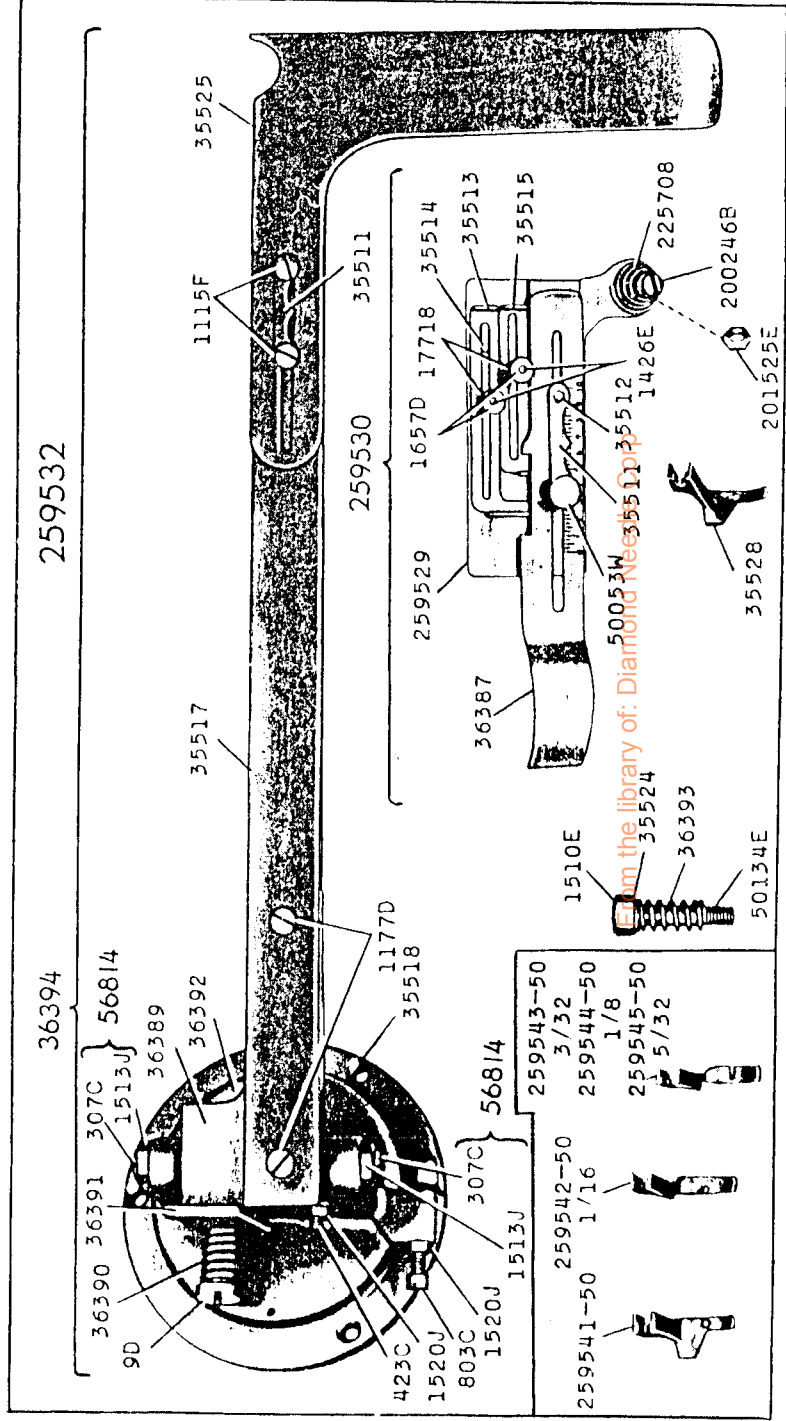
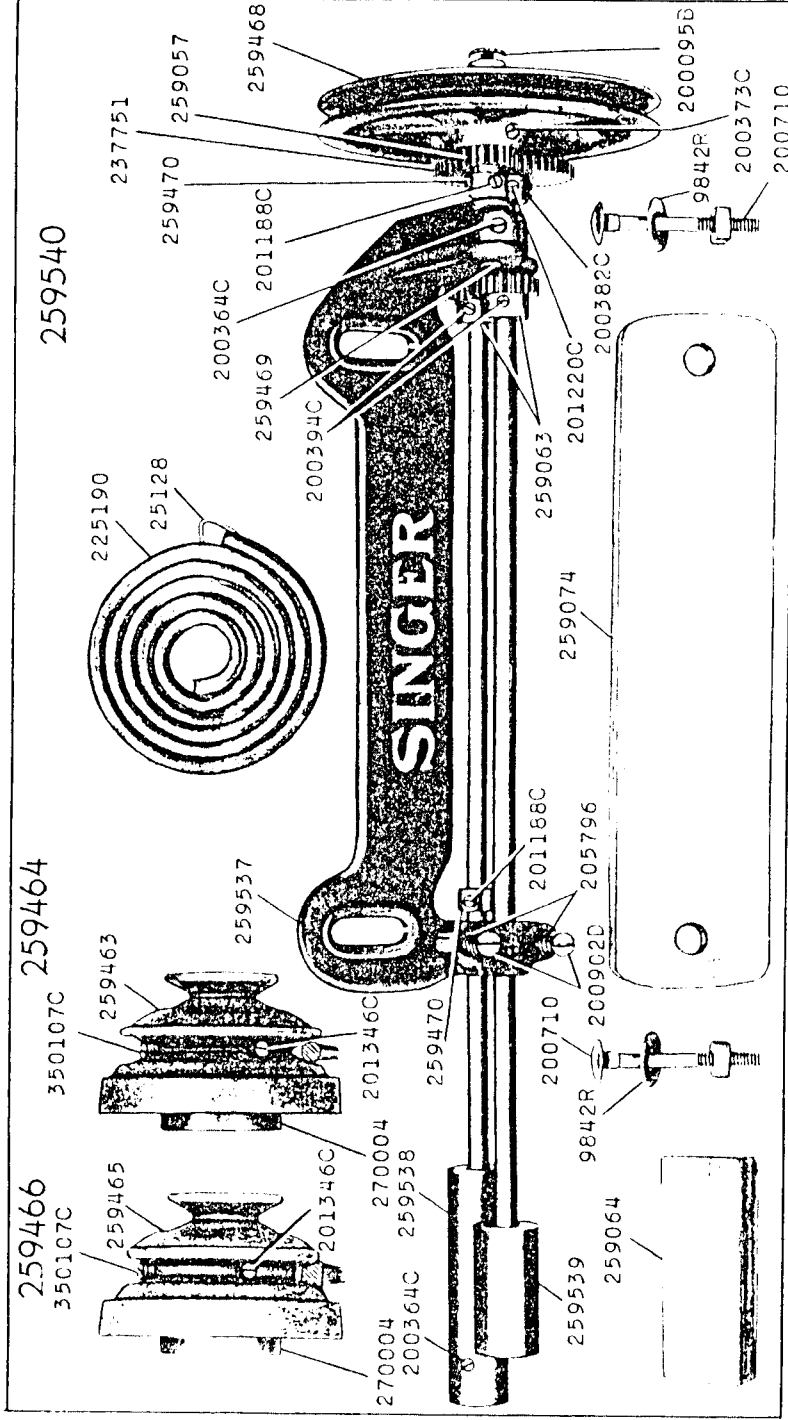


18334 - 3/8

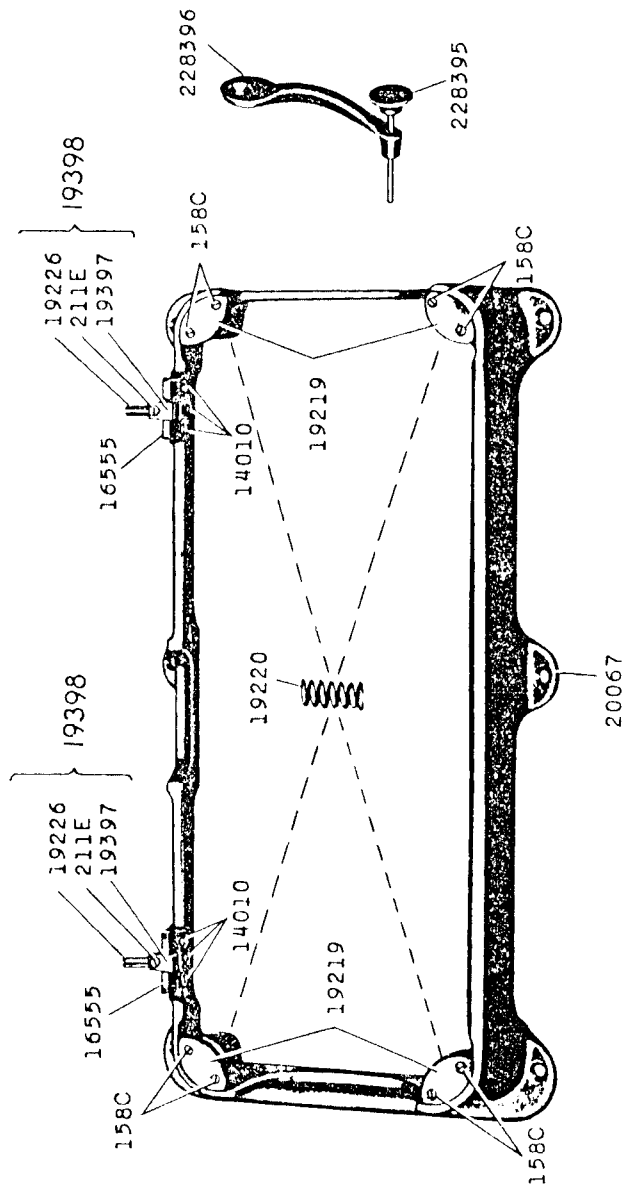


18335 - 3/8

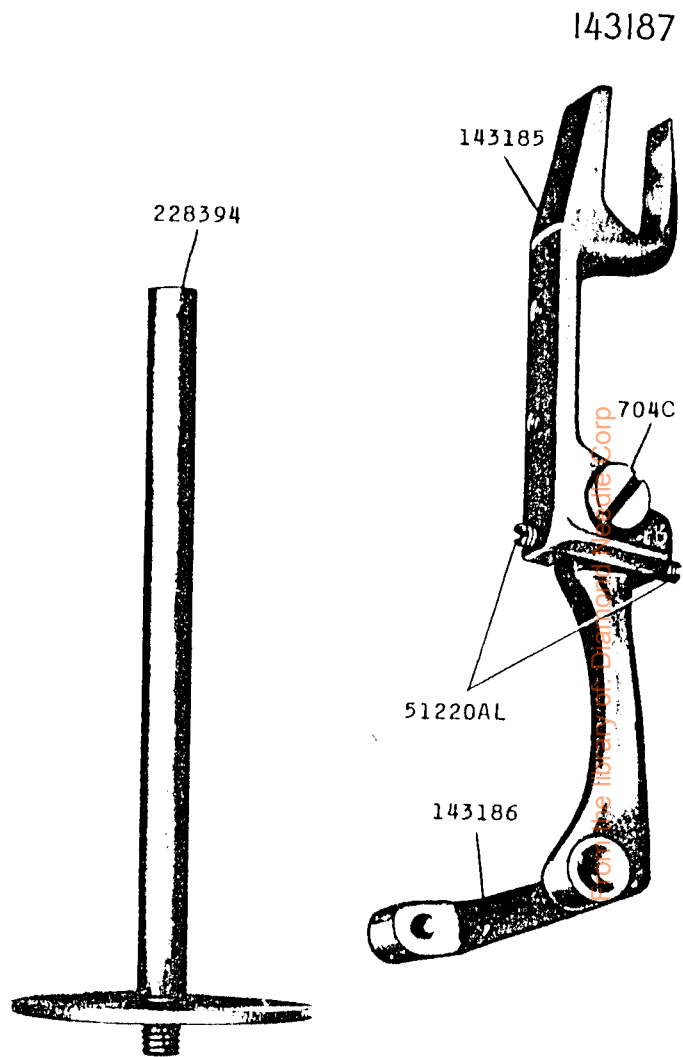


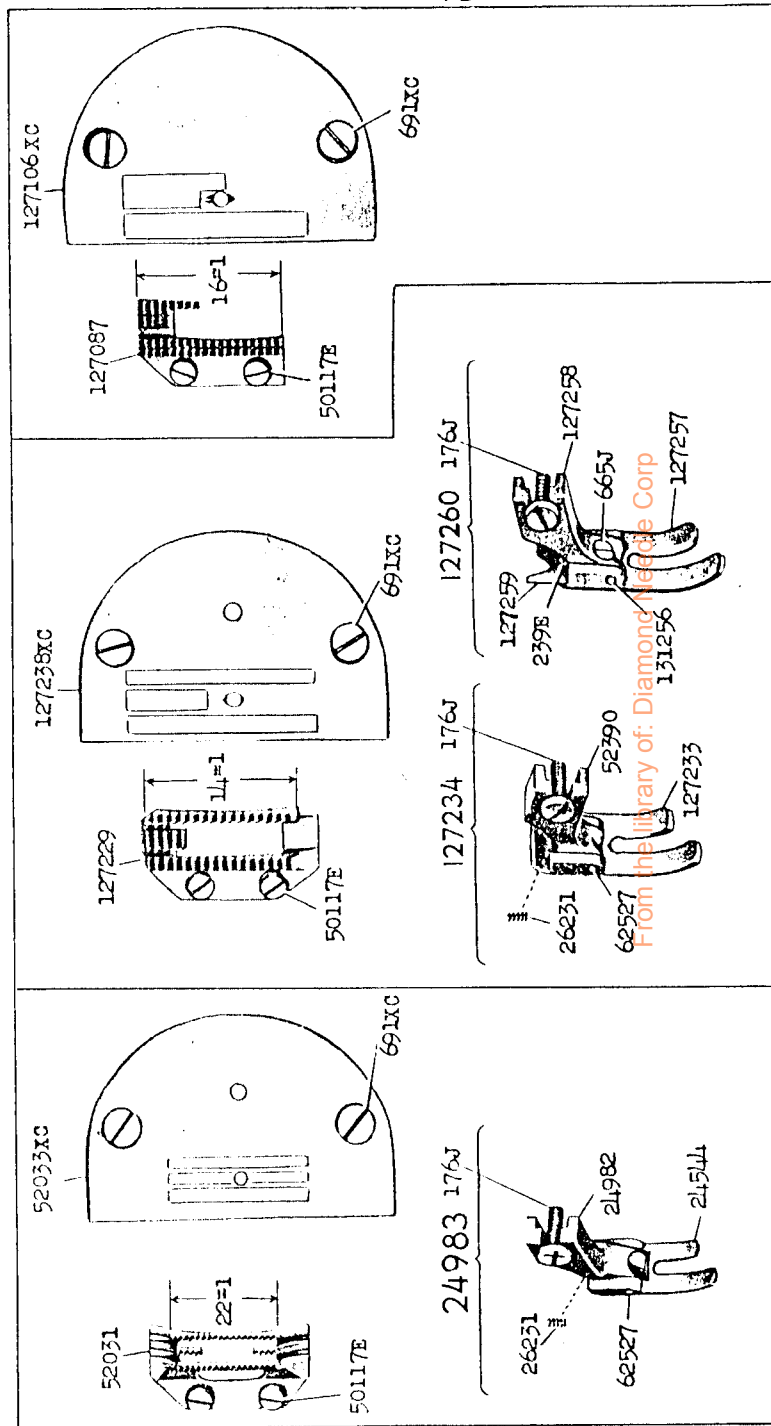
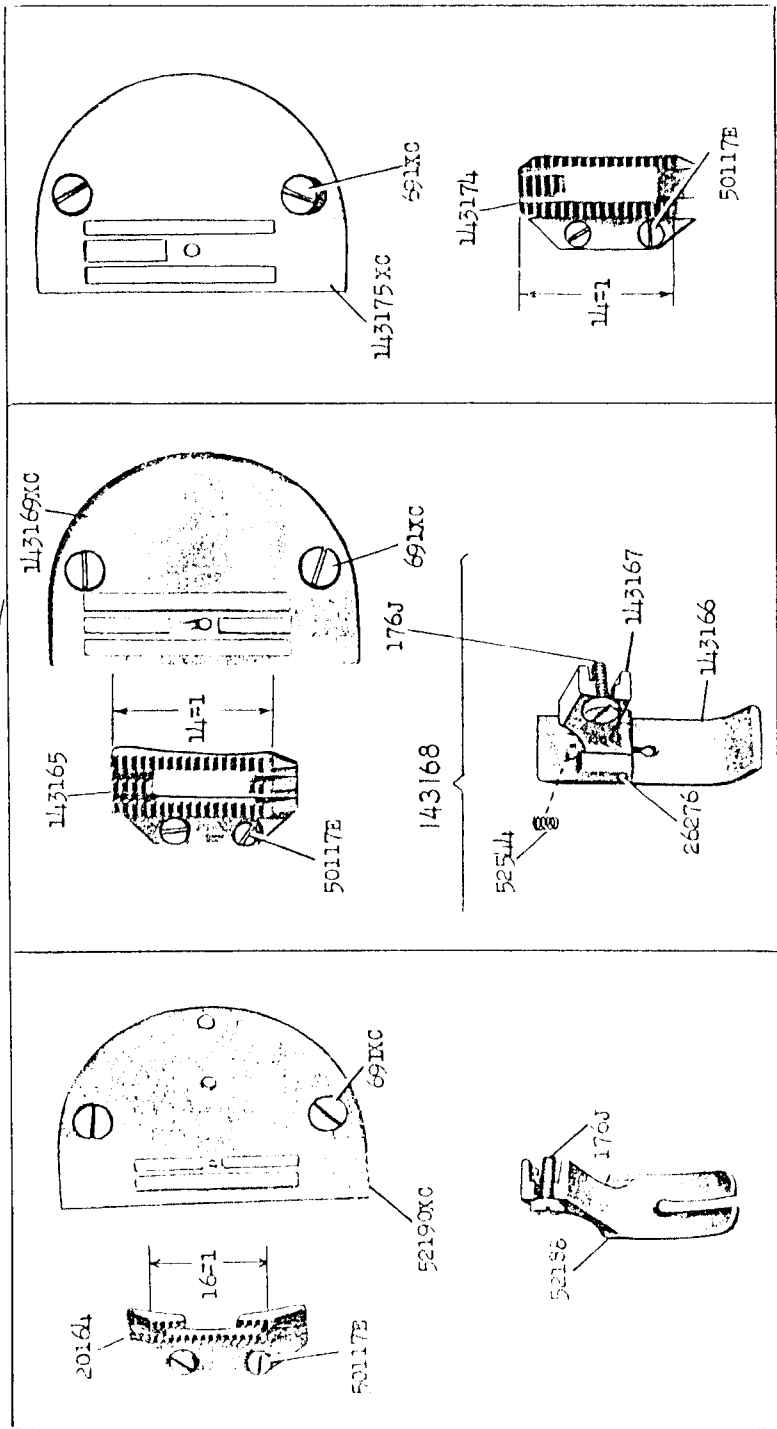


18346 - 1/4

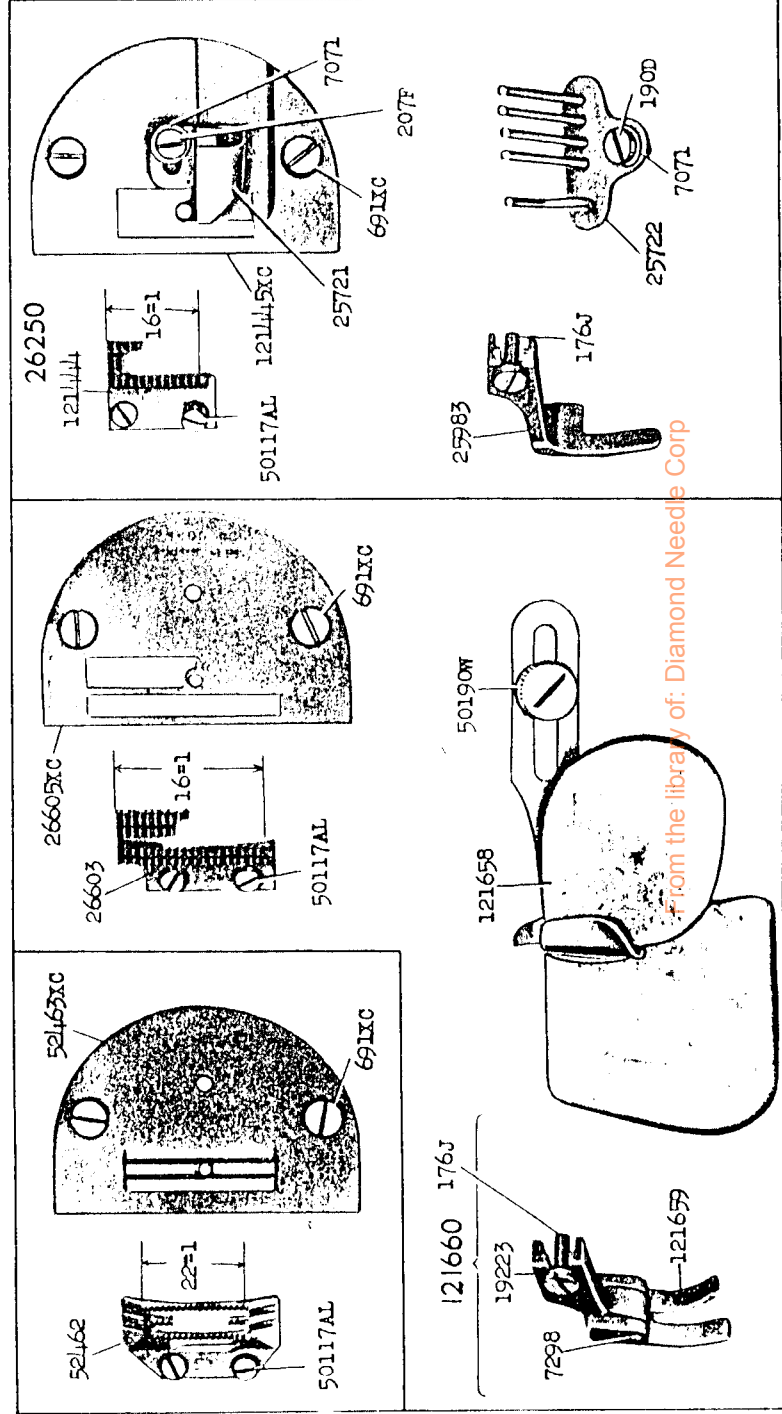
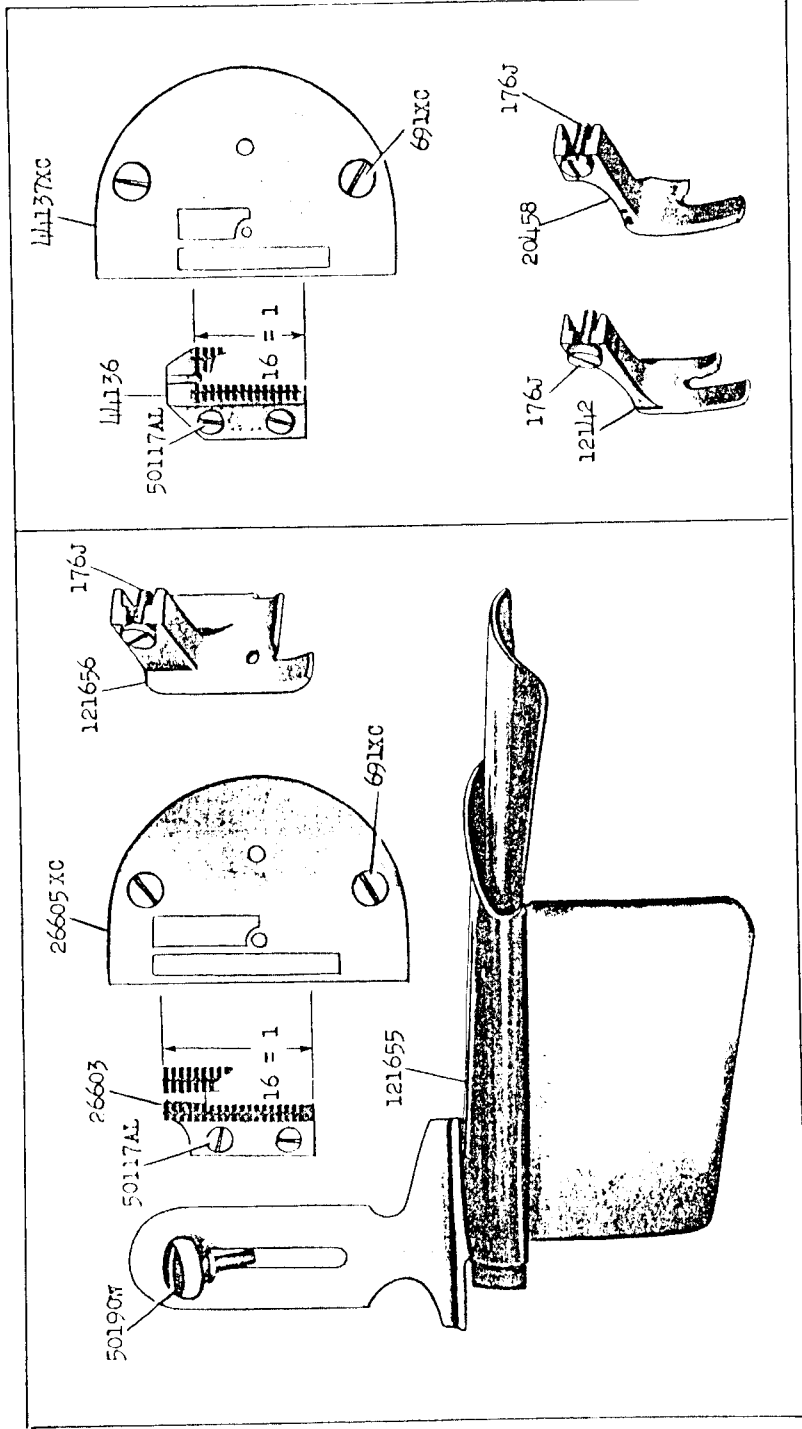


18347



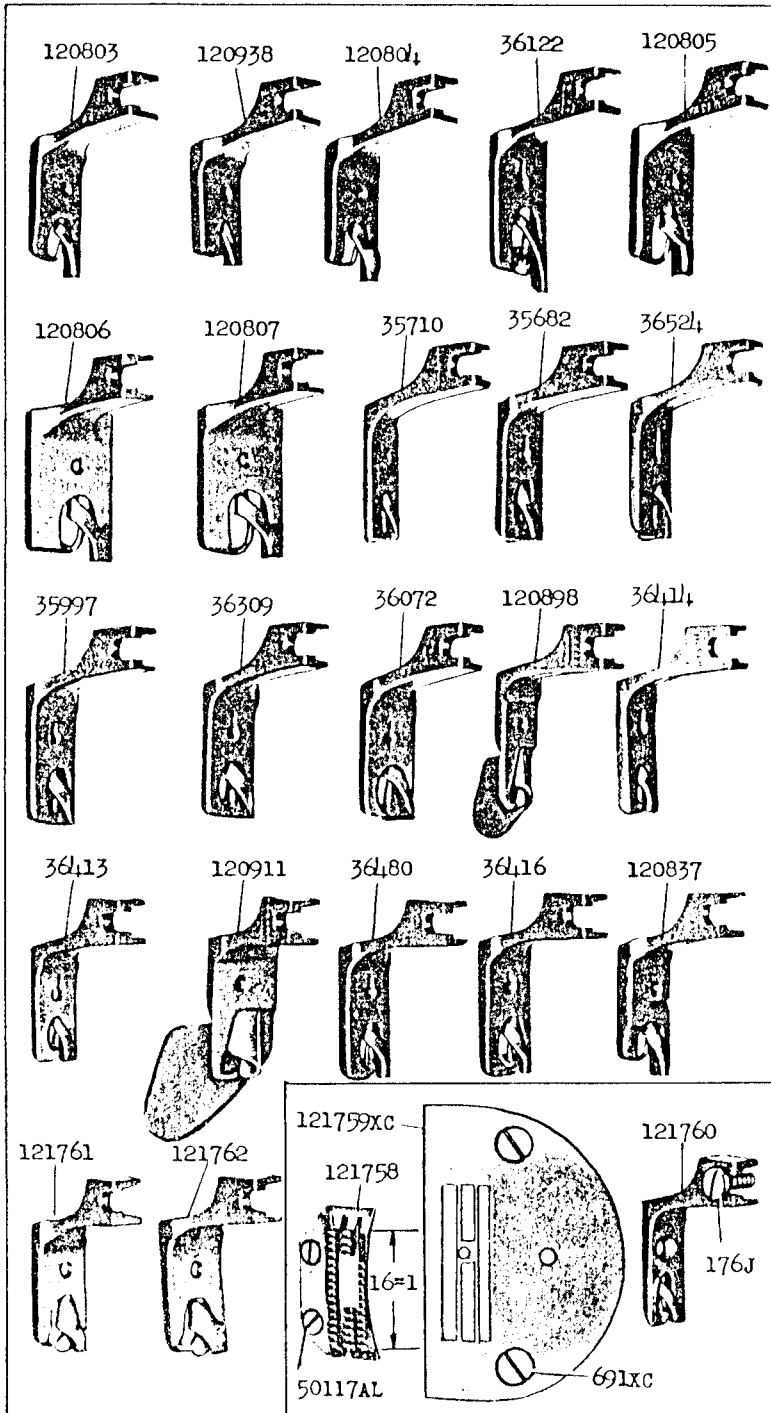


From the library of: Diamond Heracle Corp



from the library of: Diamond Needle Corp

23230 - 2/3



23231 - 2/3

